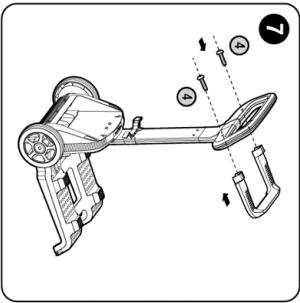
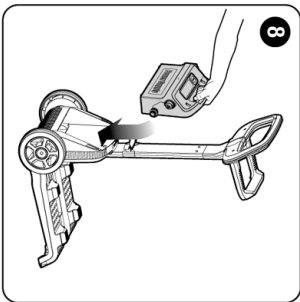



## Caddy Assembly

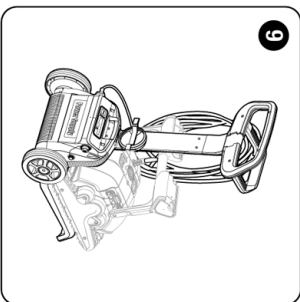
① DIN 7985 A2 M5x35  x 2



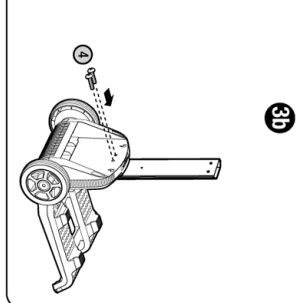
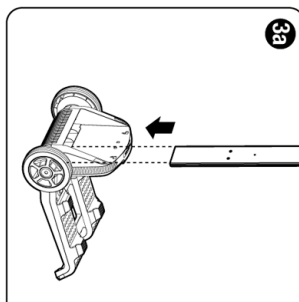
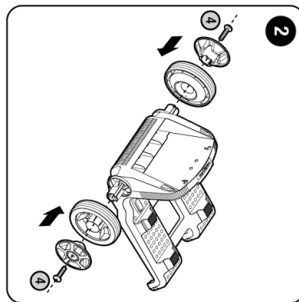
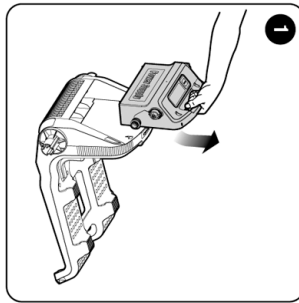
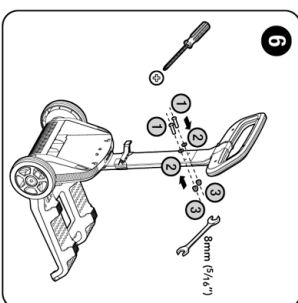
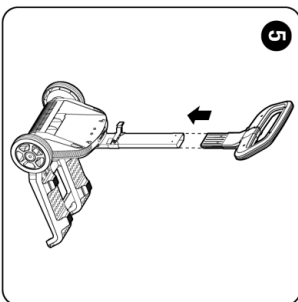
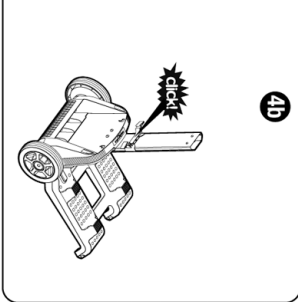
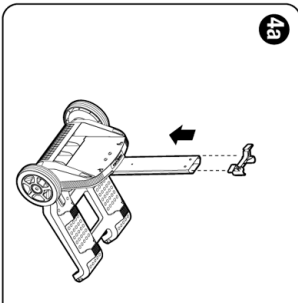
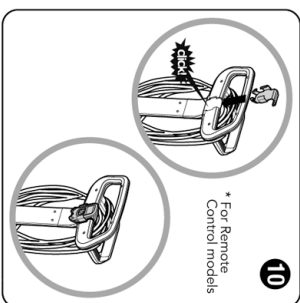
② DIN 127B A2 M5  x 2



③ DIN 1587 A2 M5  x 2



④ VVN 1412 A2 KA50X16  x 6



## Quick start guide

### Dolphin EXPLORER

Thank you for purchasing a Maytronics Robotic Pool Cleaner.

The Robotic Pool Cleaners by Maytronics deliver advanced cleaning technologies, long lasting performance and easy maintenance. You and your family will be free to enjoy swimming with full confidence that your pool is completely clean.



### ⚠ Cautions & Warnings

- Use the originally supplied power supply only.
- Do not pull the Pool cleaner from the pool using the cable.
- Ensure the electrical outlet is protected by a ground fault interrupter (GFI) or an earth leakage interrupter.
- Keep the power supply out of standing water.
- Do not enter the pool while the Pool Cleaner is working.
- Use the Pool Cleaner in the following water conditions only: Chlorine Max 4 ppm; pH 7.0 - 7.8; Temperature 6 -34°C (43-93°F); NaCl Maximum = 5000 ppm.
- Specifications:  
Motor protection: IP 68  
Minimum depth: 0.80m/2.6ft  
Maximum depth: 5m/16.4ft

### i Helpful hints

- When working, the Power Supply should be placed in the shade.
- If the Dolphin is fitted with combined or wonder brushes, gently squeeze the brushes until they are soaked with water.
- Release minimal required floating cable length to ensure proper pool coverage. Leave excess cable rolled outside the pool.
- After each cleaning cycle wash the filter bag or cartridge. Clogged filter bags reduce scanning and cleaning efficiency.
- Once a week unplug the cable from the power supply, unwind the tangled portions of the cable, straighten it out and leave it in the sun for several hours.
- Store the pool cleaner in a shady place on its Caddy, if not on a caddy, place the pool cleaner upside down.



For online product warranty registration:  
[registration.maytronics.com](http://registration.maytronics.com)

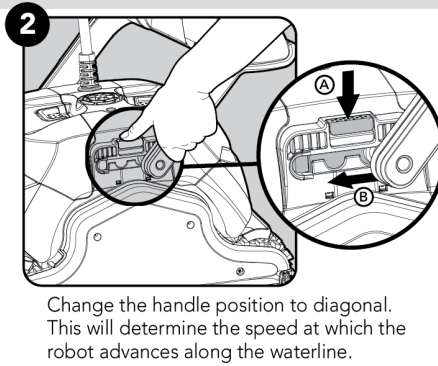
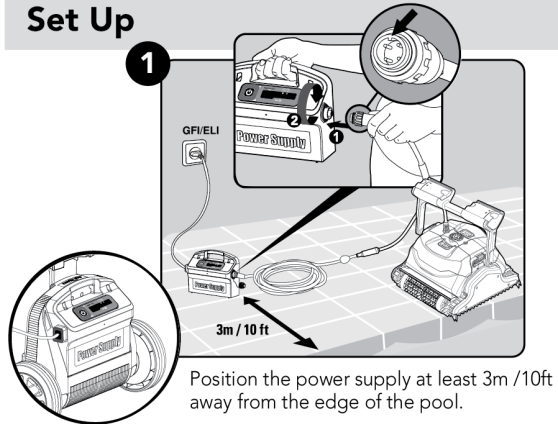


For a detailed manual (including videos):  
[manuals.maytronics.com/99991014](http://manuals.maytronics.com/99991014)

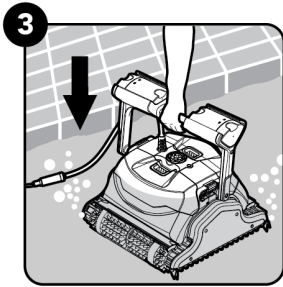


## Robot operation

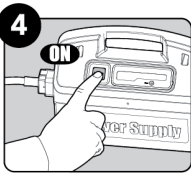
### Set Up



### Into the pool

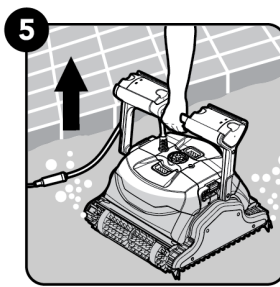


### Operation

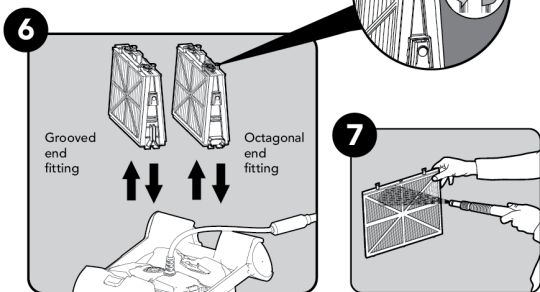


The robot will now begin working for a complete cleaning cycle. At the end of the cycle, it will automatically switch itself off.

### Out of the pool

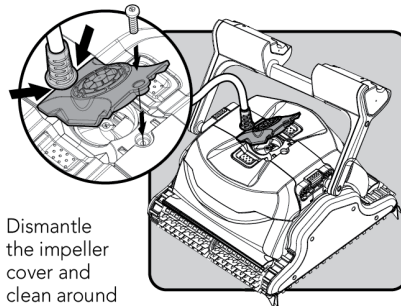


### Cleaning the filter



### Periodical maintenance

⚠ Unplug the power supply before servicing



### Storage

9 Coil the cable and store in a cool, dry place on the Caddy. Do NOT store the robot where it will be exposed to direct sunlight, excessive heat or to frost.